

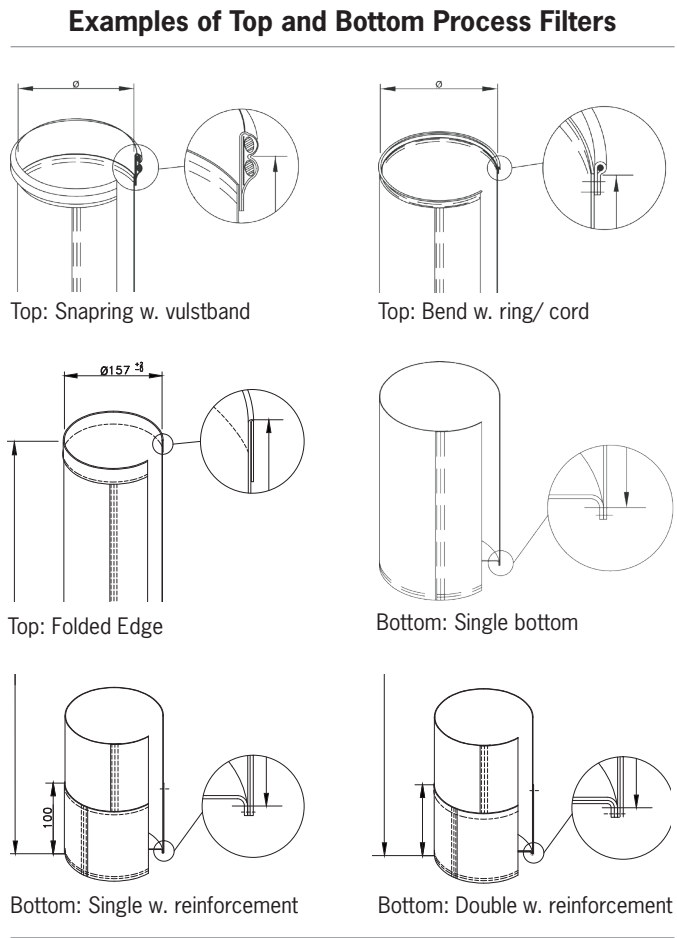
Inquiry Needlefelt Socks

Thank you for choosing Camfil APC. Please complete as much of this form as possible to insure a quick and accurate response. When completed, please return by email to your Camfil sales contact at:

Customer Information	
Company:	_____
Contact:	_____
Address:	_____
City, ST, Zip:	_____
Phone:	_____
Fax:	_____
Email:	_____

Dust Collector Information	
Manufacturer:	_____
Collector model:	_____
Filter part no.:	_____
Collector location inside / outside:	_____
Operating temp.:	_____
Surge temp.:	_____
No. of socks:	_____
Media type:	_____

Filter Dimensions & Construction	
Sock material / media type	
<input type="checkbox"/> PES <input type="checkbox"/> PP <input type="checkbox"/> Nomex <input type="checkbox"/> Monofilament <input type="checkbox"/> Acryl	Sock size Length (mm): _____ Diameter (mm): _____
Antistatic	
<input type="checkbox"/> Yes <input type="checkbox"/> No	
Media surface	
<input type="checkbox"/> Singed <input type="checkbox"/> Membrane <input type="checkbox"/> Hydrofob / Oleofob <input type="checkbox"/> Other: _____	Media weight <input type="checkbox"/> 300 g/m ² <input type="checkbox"/> 400 g/m ² <input type="checkbox"/> 500 g/m ² <input type="checkbox"/> Other: _____
Top	
<input type="checkbox"/> Snapping <input type="checkbox"/> Bend <input type="checkbox"/> Felt edge <input type="checkbox"/> Other: _____	
Bottom	
<input type="checkbox"/> Single <input type="checkbox"/> Double <input type="checkbox"/> Other: _____	
Reinforcement	
<input type="checkbox"/> Yes <input type="checkbox"/> No	
Placement	
<input type="checkbox"/> Top <input type="checkbox"/> Bottom	
Hole plate thickness (mm): _____	
Hole plate diameter (mm): _____	
Circumference of cage (mm): _____	
Length of filter cage (mm): _____	



Testing & Measurements

For testing and measurements, needlefelt sock can (after agreement with the local agent) be shipped to: Camfil A/S, Fabriksvej 7, DK-5592 Ejby, Denmark.

Technical Information

Cleaning

Pressure (bar): _____

Venturi: Yes No

On-line: Yes No

Direct-impuls: Yes No

Shake/counter: Yes No

Dust type

- | | |
|---|------------------------------------|
| <input type="checkbox"/> Agglomerating | <input type="checkbox"/> Grinding |
| <input type="checkbox"/> Hydroscopic | <input type="checkbox"/> Greasy |
| <input type="checkbox"/> Sticky | <input type="checkbox"/> Explosive |
| <input type="checkbox"/> Fluid / liquid | <input type="checkbox"/> Flammable |

Dust particle size

- < 100 μ
 10-50 μ
 > 0 μ

Process

Usage / process: _____

Collector location: Inside Outside

Collector insulated: Yes No

Continued operation: Yes No

Operational hours per year: _____

Reporting features

- | | |
|--|--|
| <input type="checkbox"/> Pressure drop | <input type="checkbox"/> Temperature |
| <input type="checkbox"/> Airflow | <input type="checkbox"/> Cleaning interval |
| <input type="checkbox"/> Dust level | <input type="checkbox"/> Hour counter |

Technical Information

Airflow w. dust (m^3/h): _____

Airflow, max. load (m^3/h): _____

Temperature, operating ($^{\circ}C$): _____

Temperature max. load, max ($^{\circ}C$): _____

Temperature, min. ($^{\circ}C$): _____

Dew point H_2O ($^{\circ}C$): _____

Dew point H_2SO_4 ($^{\circ}C$): _____

No. of dew point passages per year: _____

Amount of raw gas (max. g/m^2): _____

Amount of raw gas (min. g/m^2): _____

pH value of dust cake: _____

Density of dust cake (g/cm^3): _____

Differential pressure max. (Pa): _____

Filter surface load ($m^3/m^2/h$): _____

Supportive heating in standby: Yes No

Bypass: Yes No

CO content in process air (mg/m^3): _____

O₂ content in process air (mg/m^3): _____

SO₂ content in process air (mg/m^3): _____

SO₃ content in process air (mg/m^3): _____

Cl content in process air (mg/m^3): _____

HF content in process air (mg/m^3): _____

H₂O content (g/m^3): _____

Additional Questions

Does the customer experience any current issues with the filter life cycle?

Is the customer expecting any kind of improvements?

Additional Notes & Comments